



Software Installation Manual

XANTÉ

XANTÉ CL 30

Printer Drivers.....	4-4
Which Printer Driver?	4-4
Network Installation.....	4-5
Install the Ferrite Core	4-5
Connect to the Network Port	4-5
Windows® Network Installation.....	4-6
Install Printer Software for TCP/IP	4-6
TCP/IP Configuration Options	4-6
Install the Drivers	4-6
Directly to the Network Using TCP/IP	4-7
Indirectly to Network Through Another PC	4-7
Network Client Distribution	4-8
Activating Installable Options	4-8
To Activate in the PostScript Driver	4-8
To Activate in the PCL Driver	4-9
Install Software for Configuring the Printer	4-9
Install Utilities for Netware.....	4-9
Launching the Utility	4-10
Configuring Novell	4-10
Activating Installable Options	4-10
Windows Local Installation - USB.....	4-10
Connecting to the Computer	4-10
Installing Printer Software for Windows 2000	4-11
Install the PostScript Driver	4-11
Install the PCL Driver	4-12
Install Printer Software Utilities	4-12
Activating Installable Options	4-12
Installing Printer Software for Windows XP	4-13
Install the PostScript Driver	4-13
Install the PCL Driver	4-13
Install Printer Software Utilities	4-14
Activating Installable Options	4-14
Windows Local Installation - Parallel.....	4-14
Connecting to the Computer	4-14

Installing Printer Software	4-15
Drivers Supplied	4-15
Activating Installable Options	4-16
Macintosh Installation.....	4-16
Connecting to the Computer	4-16
Network	4-16
Installing Printer Software for OS 8.6 to 9.1.....	4-17
Install the Driver	4-17
Create the Desktop Printer for a Network	4-17
Accessing Advanced Features	4-17
On-Line Manuals	4-18
To Load the Manuals	4-18
Install Printer Software for OS X.1	4-18
Install the Driver	4-18
Adding the Printer	4-19
Activating the Duplex Unit	4-19
Service and Support Resources.....	4-20
Trademarks.....	4-21

Printer Drivers

Which Printer Driver?

Your printer comes with Windows drivers for PCL and PostScript (PS). You can install either driver or both, depending on your application.

If you use TrueType fonts and you do not print PostScript (including ".eps" files) graphics, choose the PCL driver. This will be more efficient and give better results.

If you use PostScript fonts or will be printing PostScript graphics, choose the PostScript driver. Performance will be faster and graphics will be printed at their best quality.

If your applications vary, you could install both. Then select the one you plan to use the most to be your Windows default driver. Choose the alternate driver from within the print dialog when you need to. If you install both drivers, simply select the same printer port (LPT1 or Network Port) during the installation.

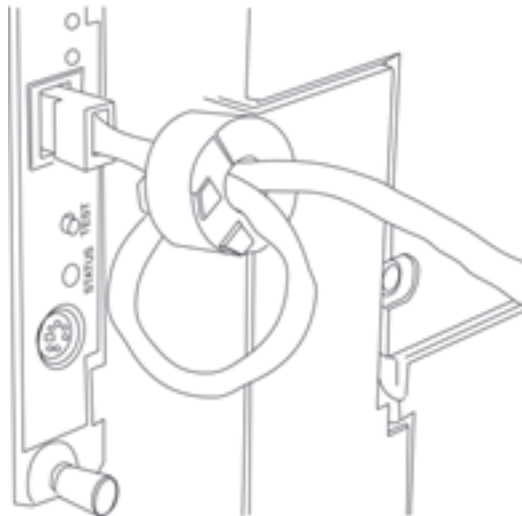
Network Installation

Install the Ferrite Core

In order to reduce electromagnetic interference—"noise" that interferes with TVs or other appliances—you must put the enclosed ferrite core on the network cable connected to your printer.

THIS IS REQUIRED BY THE FCC!

1. Before connecting the network cable to the printer, place the open core about 1 inch from the cable connector on the printer end.
2. Press the two halves of the ferrite core together until they click shut.

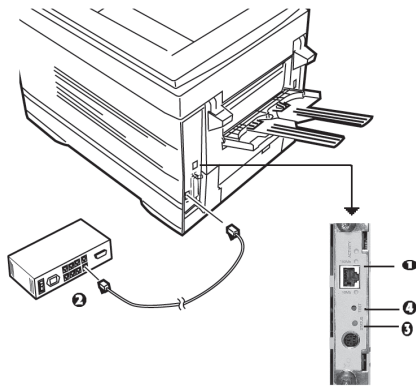


Connect to the Network Port

Note: No Ethernet® cable is supplied with this printer. Use an Ethernet cable with two twisted wire pairs and an RJ45 plug.

1. Turn the printer off
2. Connect your Ethernet cable with Ferrite Core to the Network Port on the printer (1).
3. Connect the other end to the Network Port (2).

4. Turn the printer on and wait for the print server status light (3) to stop blinking.
5. Press the TEST button (4) on the printer. A configuration page prints. This page contains information you will need to set up the printer on your network.



Windows® Network Installation

Install Printer Software for TCP/IP

Installing a printer on a TCP/IP network is best handled by someone familiar with networks (such as a Network Administrator).

TCP/IP Configuration Options

For information on how to modify configuration settings specific to the TCP/IP protocol such as IP address, subnet mask, and default gateway, see the TCP/IP section in your User's Manual.

Install the Drivers

1. Insert the CD-ROM into the CD-ROM drive. The CD will autorun. If it doesn't, click Start: Run: Browse. Browse to your CD-ROM drive, double click Install.exe, then click OK.
2. The License Agreement appears. Click I Accept.

3. The **Menu Installer** appears.



4. Click the **Printer Driver Installer** button.
5. Select **Network Printer**. Click **Next**.
6. Connection type screen appears. Select "how your printer is connected to the network." Follow the appropriate instructions in the next section.

Directly to the Network Using TCP/IP

1. Click **Next**.
2. Enter the IP address or select **Search** to look for the printer. Click **Next**.
3. When the IP address is found, select the printer by clicking on it, then select the printer emulation you want. Click **Next**.
4. Type in the new printer name. Click **Next**.

Note: XP and 2000 users: here you may need to select **Do Not Share** or **Share printer**. Follow the on-screen instructions.

Note: If **Digital Signature Not Found** displays, click **Continue Anyway** or **Yes**.

5. Click **OK**.
6. Click **Finish** when the installation is complete.

Indirectly to Network Through Another PC

Note: Your printer must be shared off another PC before you perform the network installation.

1. Click **Next**.

2. Select shared printer. Click Next.
3. Select printer model and emulation. Click Next.
4. Type a new name. Click Next.
5. Click Finish when the installation is complete.

Network Client Distribution

If you are installing the software on a network for network clients, the software must be installed on all client's workstations. Net PnP Install sets printer sharing in windows, and notifies client users by e-mail. See the help file for more information.

To install the Net PnP Install Utility on the server, do the following:

1. In the Menu Installer, click the Network Software button.
2. Click the Administration Tools button.
3. Click the Net PnP Install Utility button and follow the on-screen instructions

Activating Installable Options

If your printer has a duplex unit, internal hard drive, or optional paper trays, you must enter the driver to activate them.

To Activate in the PostScript Driver

1. Click Start: Settings: Printer.
2. Right click the XANTÉ PostScript printer icon, then click Properties.

Windows NT/2000/XP

- a. Click the Device Settings tab.
- b. Scroll down to Installable Options.
- c. Click Duplex, then click Installed in the box below; repeat for Hard Disk and paper trays.

Windows 95/98/Me

- a. Click the Device Options tab.

- b. Select Duplex Option Unit, Printer Hard Disk, and select optional paper trays if installed.

To Activate in the PCL Driver

1. Click Start: Settings: Printer
2. Right click the PCL printer icon, then click Properties (Windows 2000/XP/Me/98), or Document Defaults (Windows NT).
3. Click the Device Options tab.
4. Select Duplex Option Unit, Printer Hard Disk, and select optional paper trays if installed.
5. Click OK. Then, close the Printer's dialog box.

Install Software for Configuring the Printer

Installing a printer on a network is best handled by someone familiar with networks (such as a Network Administrator).

Note: The following procedure applies to Novell NetWare 4.0 and 5.0 when using NDS or Bindery only. For further details and for Novell NDPS instructions, refer to the User's Manual.

Install Utilities for Netware

The Utility for Netware installs, configures, and manages your network print server devices.

1. Insert CD-ROM into your CD-ROM drive. The CD will autorun. If it doesn't, click Start: Run: Browse. Browse to your CD-ROM drive, double click Install.exe, then click OK.
2. The License Agreement appears. Click **I Accept**.
3. The Menu Installer screen appears.



4. Click the Network Software button.
5. Click the Installation/Config button.
6. Click the XANTÉ Utilities button.
7. Click on Netware management Utilities. Click Next.
8. Click XANTÉ Utility for Netware. Follow the on-screen instructions to complete the installation.

Launching the Utility

To launch the utility click Start: Programs: XANTÉ Utilities: XANTÉ Utility for Netware.

Configuring Novell

For instructions to install and configure the print server, click on Help in the Utility. More information is available in the User's manual.

Activating Installable Options

If you printer has a duplex unit, internal hard drive, or optional paper trays, you must enter the driver to activate them. See page 8 for instruction on how to do this.

Windows Local Installation - USB

Connecting to the Computer

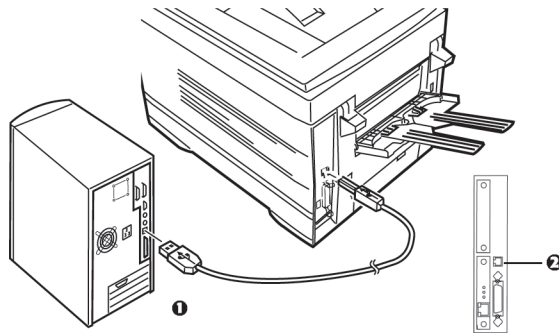
No USB interface cable is supplied with the printer. Use a USB cable that is compatible with USB specification 1.1.

Note: USB interface will only operate using Windows 2000 and Windows XP operating systems only.

Note: Printer operation is not assured if another USB compatible device is connected concurrently with it.

Note: If a USB hub is used, it must be connected directly to the computer.

1. Connect the USB cable to the USB port on the computer (1).
2. Connect the other end of the cable USB port on the printer (2).



Note: USB is designed to be a "plug-and-play" interface. Turning off the printer and computer before plugging in the USB is not necessary.

Installing Printer Software for Windows 2000

Install the PostScript Driver

1. Check that the USB cable is plugged in correctly.
2. Turn the printer on.
3. Found New Hardware Wizard displays. Click Next.
4. Select "search for Driver..." Click Next. Select "Specify a location." Clear other selections. Click Next.
5. Insert CD into your CD-ROM drive
6. Click Browse. Browse to your CD-ROM drive\Drivers\Parallel\Win2k\PS. Click Open. Click OK. Click Next.
7. At Digital Signature Not Found, click Yes.
8. Files are copied. Click Finish.

Install the PCL Driver

If you want to install the PCL driver, use the Add Printer Wizard.

1. Click Start: Settings: Printers.
2. Double-click Add Printer.
3. The Add Printer Wizard displays. Click Next.
4. Select "Local Printer..." Clear other selections. Click Next.
5. Select USB001 printer port. Click Next.
6. Select Have Disk.
7. Select Browse. Browse to your CD-Rom drive\Drivers\Paralle\XP\PCL. Click Open. Click OK.
8. Select your printer model. Click Next.
9. Follow the on-screen instructions.
10. Click Finish.
11. Digital Signature Not Found displays. Click Yes.

Install Printer Software Utilities

1. With the CD installed in your CD-ROM drive, click Start: Run: Browse to your CD-ROM Drive and double-click Install. Click OK.
2. The License Agreement appears. Click **I Accept**. Click Next.
3. The Menu Installer displays. Click the Productivity Software button.
4. Install the utilities you want to install following the on-screen instructions.

Note: To access the utility programs from your desktop, click Start: Programs: XANTÉ.

Activating Installable Options

If your printer has a duplex unit, internal hard drive, or optional paper trays, you must enter the driver to activate them. See page 8 for instruction on how to do this.

Installing Printer Software for Windows XP

Install the PostScript Driver

1. Check that the USB is plugged in correctly.
2. Turn the printer on.
3. Found New Hardware appears.
4. Insert CD into the CD-ROM drive.
5. Select "Install from a list or specific location..." Uncheck Search removable media. Click Next.
6. Select "include this location in search." Clear other selections.
7. Click Browse. Browse to your CD-ROM drive\Drivers\Parallel\XP\PS. Click OK. Click Next.
8. Windows Logo testing dialog appears. Click Continue Anyway. Installation is completed.
9. Click Finish.

Install the PCL Driver

If you want to install the PCL driver, use the Add Printer Wizard.

1. Click Start: Settings: Printers: Add Printer.
2. The Add Printer Wizard displays. Click Next.
3. Select Local Printer. Click Next.
4. Select USB001 printer port. Click Next.
5. Select Have Disk.
6. Select Browse. Browse to your CD-ROM drive\Drivers\Parallel\XP\PCL. Click Open. Click OK.
7. Select your printer model. Click Next.
8. Follow the on-screen instructions.

9. Windows Logo testing dialog appears. Click Continue Anyway.
10. Click Finish.

Install Printer Software Utilities

1. With the CD installed in your CD-ROM drive, click Start: Run: Browse to your CD-ROM Drive and double-click Install. Click OK.
2. The License Agreement appears. Click **I Accept**. Click Next.
3. The Menu Installer displays. Click the Productivity Software button.
4. Install the utilities you want to install following the on-screen instructions.

Note: To access the utility programs from your desktop, click Start: Programs: XANTÉ.

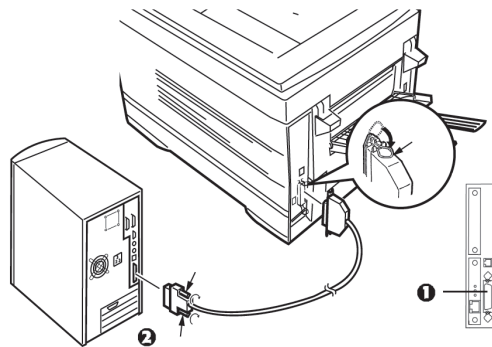
Activating Installable Options

If your printer has a duplex unit, internal hard drive, or optional paper trays, you must enter the driver to activate them. See page 8 for instruction on how to do this.

Windows Local Installation - Parallel

Connecting to the Computer

1. Turn off your computer and your printer.
2. Attach a standard IEEE-1284 parallel cable (not supplied) to the parallel port on the printer (1), securing it with the spring clips.
3. Attach the other end to the parallel port on the computer (2) and secure it in place with the screws.



Installing Printer Software

Drivers Supplied

The printer comes with two drivers: Adobe PostScript and PCL, for the following Windows operating systems:

- Windows 2000 Professional
- Windows 95, 98, Me
- Windows XP
- Windows NT 4.0

1. Insert CDS into your CD-ROM drive. The CD will AutoPlay. If it doesn't, click Start: Run: Browse. Browse to your CD-ROM drive and double-click Install.exe, then click OK.
2. The License Agreement appears. Click **I Accept**.
3. The Menu Installer screen appears.



4. Click the Printer Driver Installer button.
5. Follow the on-screen instructions to complete the installation. If the Digital Signature dialog appears, click Yes.
6. To install additional software utilities, click the Productivity Software button, then select and install the utilities you want.

Activating Installable Options

If your printer has a duplex unit, internal hard drive, or optional paper trays, you must enter the driver to activate them. See page 8 for instruction on how to do this.

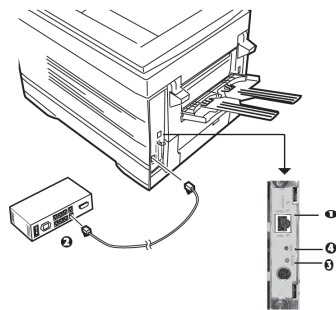
Macintosh Installation

Connecting to the Computer

Requires Mac® OS 7.x or above, running on a Macintosh computer with EtherTalk® interface.

Network

1. Turn the printer off.
2. Connect your Ethernet cable to the Network port on the printer server (1).
3. Connect the other end of the Ethernet cable to the network port (2).
4. Turn the printer on and wait for the print server status light (3) to stop blinking.
5. Press the Test button (4) on the print server. A configuration page prints.



Installing Printer Software for OS 8.6 to 9.1

Install the Driver

1. Turn the printer on, then turn the computer on.
2. Place the CD into the CD-ROM drive.
3. Double-click the XANTÉ Cd icon that appear on the desktop.
4. Open the MAC folder. Click MAC: PSDRV: English.
5. Double-click the MAC Installer icon, click Continue.
6. Select Classic Easy Install from the drop-down menu located in the top left corner. This will install the printer drivers, utilities, and plug-ins including Job Accounting and Job type (Plug-ins will only install in OS 9.x and above). Click Install.
7. Select your printer model, click OK.
8. Select the Color Profile for your printer model, click OK.
9. When the installation is complete, click Quit.

Create the Desktop Printer for a Network

1. Activate Chooser from the Apple menu.
2. Select the LaserWriter8 icon and highlight the printer name (print server id#).
3. Click Create.
4. Close Chooser.

Note: If you need to verify the printer name, press the print server test button to print the Configuration pages. The printer name is on page 2.

Accessing Advanced Features Mac OS 9.0.4 and higher

1. Select File on the desktop menu.
2. Click Print Desktop from the drop-down menu.
3. Select Plug-in preferences from the drop-down menu.



4. Check Print Time Filters, Job Accounting, and Job Type.



5. Click Save Settings. Click OK.

On-Line Manuals

You must have Microsoft Internet Explorer version 4.0 or higher and Acrobat Reader.

To Load the Manuals

In order to open the on-line manual, you must have Acrobat Reader installed.

1. Insert the CD into your CD-ROM drive.
2. From the CD contents folder, drag the Manual folder to the desktop.

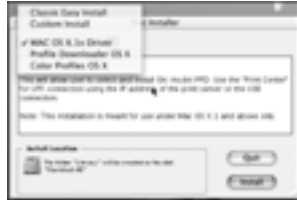
Install Printer Software for OS X.1

Install the Driver

Be sure to switch off antivirus software before installing a printer driver.

1. Turn the printer on, then turn the computer on.
2. Put the CD-ROM in your CD-ROM Drive.
3. Double-click the XANTÉ CD icon that appears on the desktop.
4. Open the MAC folder. Click MAC: PSDRV: English.
5. Double-click the Mac Installer icon, click Continue.

- 6.. Select MAC OS X.1x from the drop-down menu located in the left corner. Click Install.



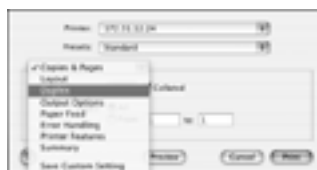
7. In the Menu Installer, select MAC OS X.1 Driver from the drop-down menu located in the left corner. Click Install.
8. Select your printer model. Click OK.
9. Click Continue.
10. Select the Color Profiles OS X. Click Install.
11. When the installation is complete, click Quit.

Adding the Printer

1. Run the Print Center (Local HD: Applications: Utilities: Print Center). Click Add Printer.
2. Select LPR Printers Using IP from the drop-down menu.
3. Enter the printer's IP address.
4. From the Printer Model drop-down menu, select the correct PPD for your printer model. Click Add.
5. Quit Print Center.

Activating the Duplex Unit

1. From your application, click File: Print: Duplex.



2. Check Click on Both Sides.
3. Select the binding.
4. Click Print.

Service and Support Resources

- **Technical Support**
1-800-926-8393 (US and Canada)
251.473.6502
- **Fax**
251-473-6503
- **Hours of Operation**
7 a.m. - 6 p.m. CST
Monday—Friday
- **E-mail**
techsupport@xante.com
europesupport@xante.com

Trademarks

3M is a trademark or registered trademark of 3M Company

Adobe and PostScript are trademarks of Adobe Systems, Inc. which may be registered in certain jurisdictions.

Ethernet is a registered trademark of Digital Equipment Corporation.

EtherTalk, LaserWriter, Mac and Macintosh are registered trademarks of Apple Computer, Inc.

Folex is a registered trademark of Folex Imaging.

i486 is a trademark of Intel Corporation.

Java is a trademark or registered trademark of Sun Microsystems, Inc. in the United States and other countries.

Linux is a trademark of Linus Torfalds.

Microsoft and Windows are either registered trademarks or trademarks of Microsoft Corporation in the United States and other countries.

Novell and NetWare are registered trademarks of Novell Corporation in the United States and other countries.

PCL is a registered trademark of Hewlett Packard Company.

UNIX is a registered trademark of the Open Group.

Velcro is a registered trademark of Velcro Industries B.V.

